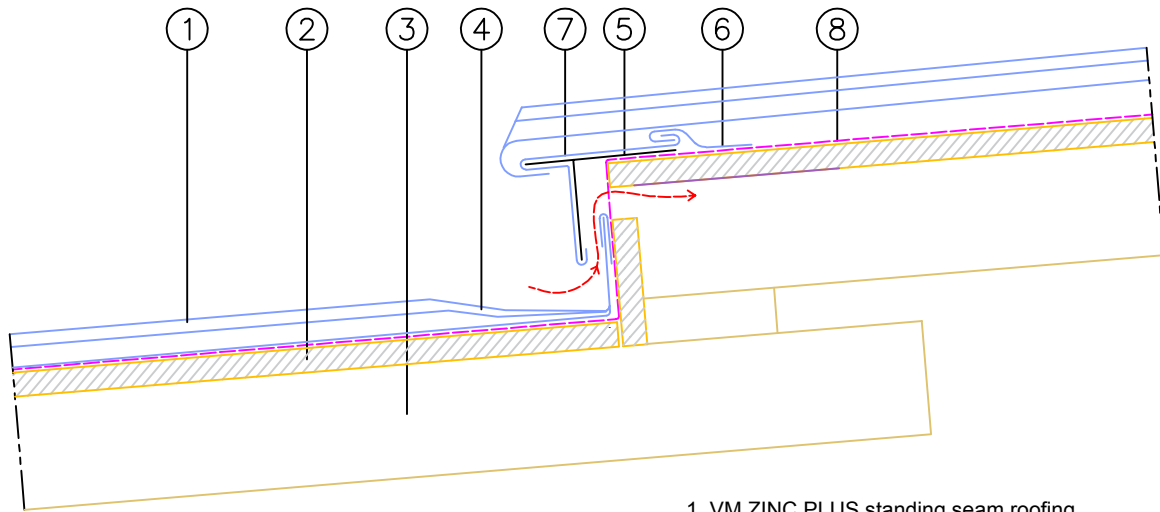
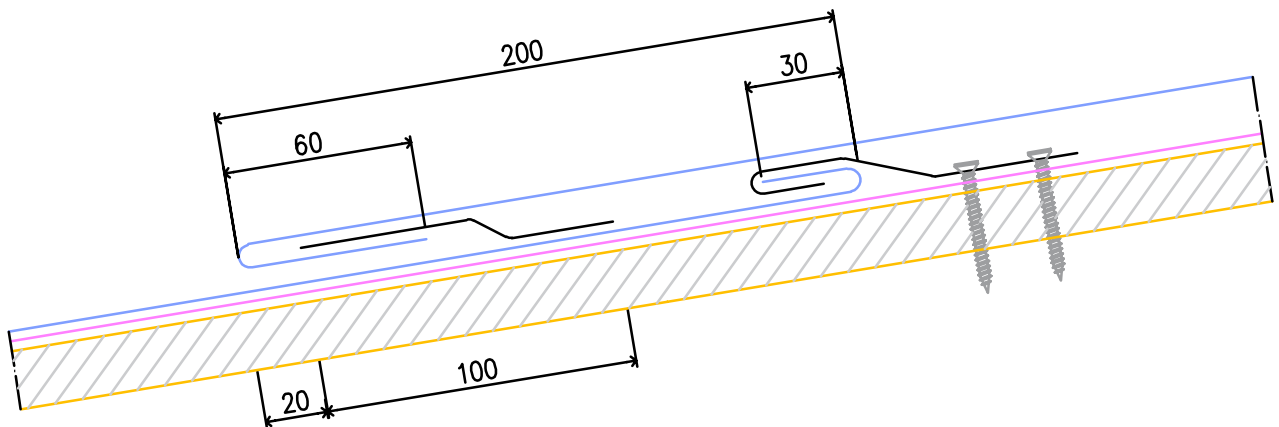


# TRANSVERSE JUNCTIONS



1. VM ZINC PLUS standing seam roofing
2. 19mm Plywood
3. Rafter
4. Turned down Standing Seam
5. Galvanised steel stiffener
6. Sheet clip
7. Eaves strip
8. Anti-abrasive building paper



Building Products- VM ZINC  
 PO BOX 727 CROWS NEST  
 NSW 2065

[www.v zinc.com.au](http://www.v zinc.com.au)  
 Tel: (61) 02 9955 4400  
 Fax: (61) 02 9955 1144

NOT A SHOP DRAWING

FOR ILLUSTRATION ONLY

While all technical information and suggestions herein are believed to be reliable and accurate, nothing stated herein is to be taken as a warranty, expressed or implied. Responsibility for review and validation remains solely with the design authority or other authority having jurisdiction.



A Umicore brand