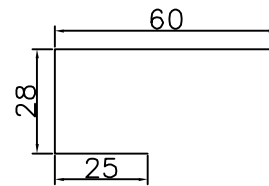
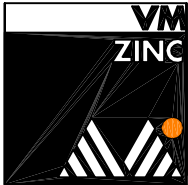


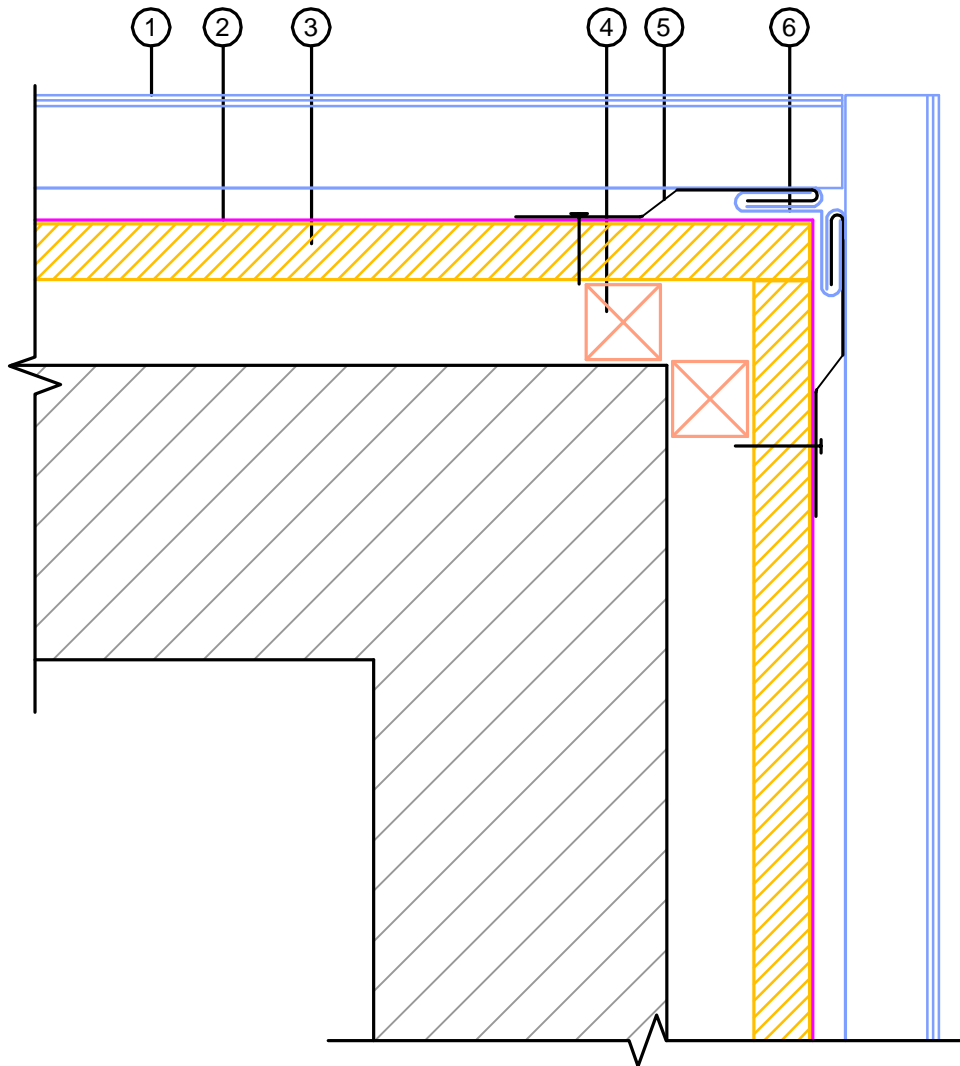
**EXTERIOR CORNER FLASHING**



**STAINLESS STEEL STIFFENER**

TITLE	SYSTEM	SCALE
EXTERIOR CORNER 2	VM ZINC® Horizontal Single Lock Standing Seam	1:2 @ A4

<p>LEGEND:</p> <ol style="list-style-type: none"> <li>1. VM ZINC® Exterior corner slider</li> <li>2. Stainless steel stiffener</li> <li>3. Anti-abrasive building paper</li> <li>4. 15mm plywood</li> <li>5. 20mm Air gap for ventilation</li> <li>6. Structure</li> <li>7. VM ZINC® PLUS Single Lock Standing Seam</li> </ol>	<p>Building Products- VM ZINC            PO BOX 727 CROWS NEST            NSW 2065</p> <p><a href="http://www.vnzinc.com">www.vnzinc.com</a>            Tel: (61) 02 9955 4400            Fax: (61) 02 9955 1144</p>	<p>NOT A SHOP DRAWING</p> <p>FOR ILLUSTRATION ONLY</p> <p>While all technical information and suggestions herein are believed to be reliable and accurate, nothing stated herein is to be taken as a warranty, expressed or implied. Responsibility for review and validation remains solely with the design authority or other authority having jurisdiction.</p>	 <p>A Umicore brand</p>
--------------------------------------------------------------------------------------------------------------------------------------------------------------------------------------------------------------------------------------------------------------------------------------------------------------------------------	--------------------------------------------------------------------------------------------------------------------------------------------------------------------------------------------------------------------------------------	--------------------------------------------------------------------------------------------------------------------------------------------------------------------------------------------------------------------------------------------------------------------------------------------------------------------------------------------------------------------	--------------------------------------------------------------------------------------------------------------



TITLE

SYSTEM

SCALE

EXTERIOR CORNER 1

VM ZINC® Horizontal Single Lock Standing Seam

1:2 @ A4

LEGEND:

1. VM ZINC® PLUS Single lock standing seam
2. Anti-abrasive building paper
3. 15mm plywood
4. Rafter for ventilation, 20mm min
5. Galvanised steel clip
6. VM ZINC® PLUS inverted slider

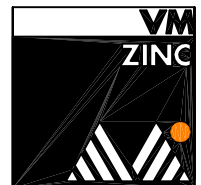
Building Products- VM ZINC  
PO BOX 727 CROWS NEST  
NSW 2065

[www.vmzinc.com](http://www.vmzinc.com)  
Tel: (61) 02 9955 4400  
Fax: (61) 02 9955 1144

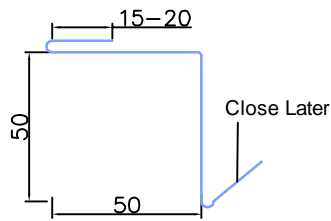
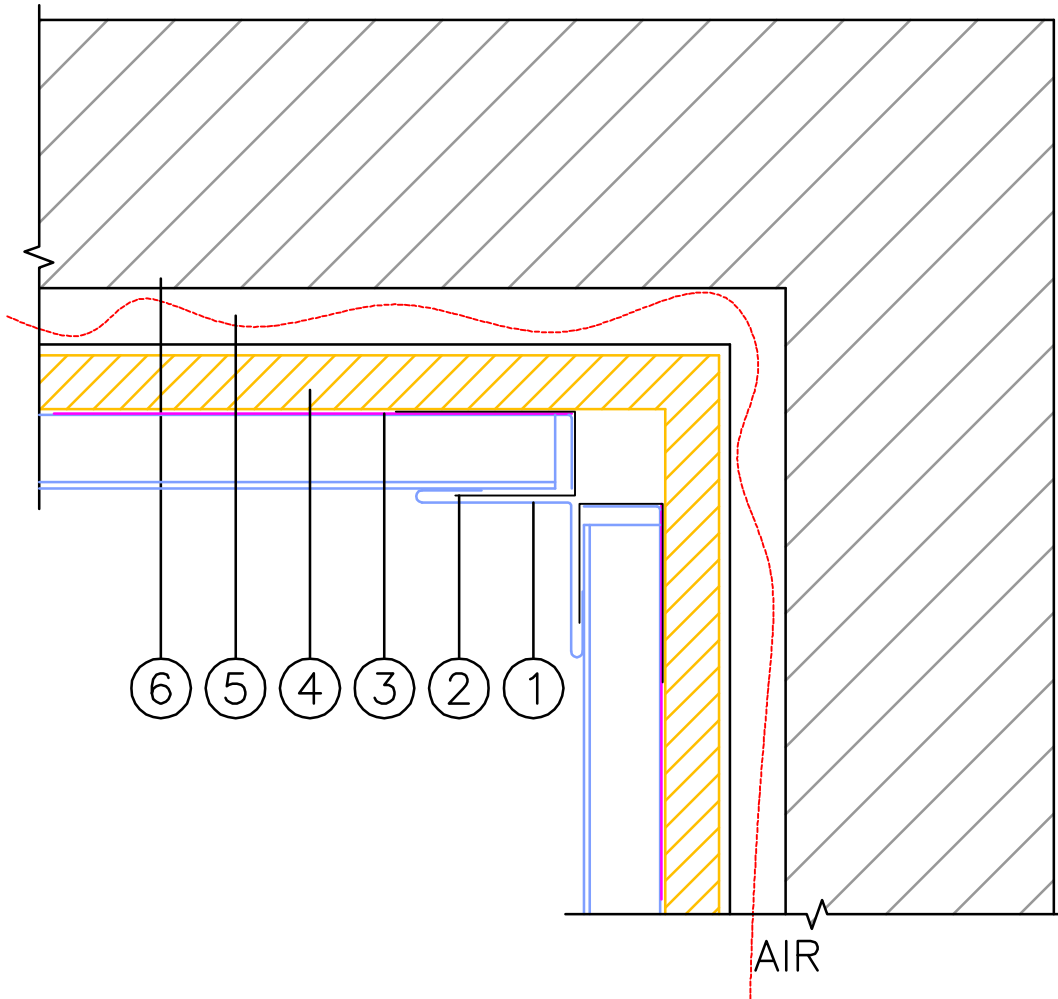
NOT A SHOP DRAWING

FOR ILLUSTRATION ONLY

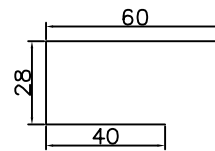
While all technical information and suggestions herein are believed to be reliable and accurate, nothing stated herein is to be taken as a warranty, expressed or implied. Responsibility for review and validation remains solely with the design authority or other authority having jurisdiction.



A Umicore brand

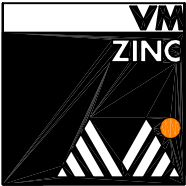


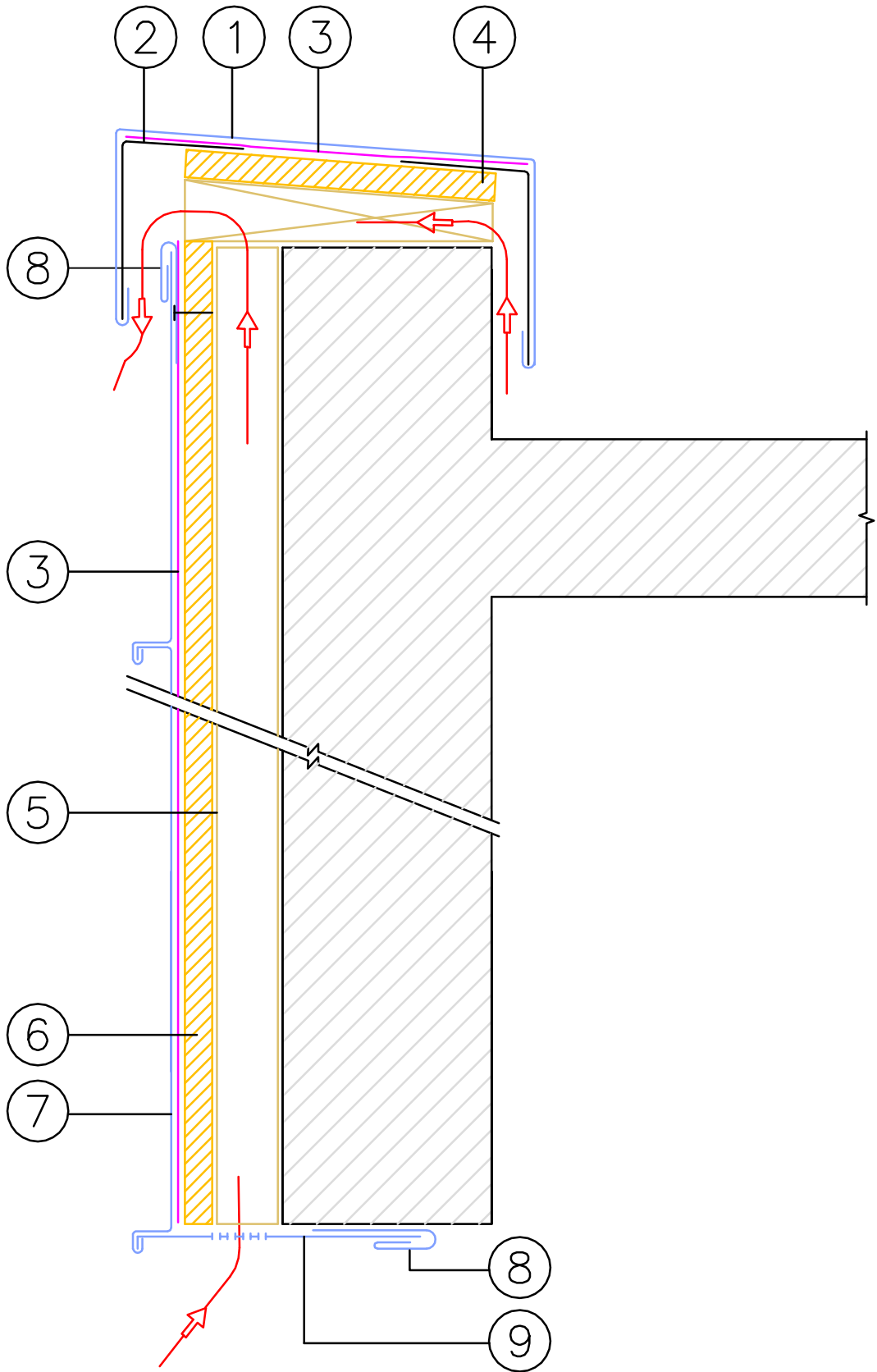
INTERIOR CORNER FLASHING



STAINLESS STEEL STIFFENER

TITLE	SYSTEM	SCALE
INTERIOR CORNER	VM ZINC® Horizontal Single Lock Standing Seam	1:25 @ A4

<p>LEGEND:</p> <ol style="list-style-type: none"> <li>1. VM ZINC® Interior corner flashing</li> <li>2. Galvanised steel stiffener</li> <li>3. Anti-abrasive building paper</li> <li>4. 15mm plywood</li> <li>5. Air gap for ventilation</li> <li>6. Structure</li> <li>7. VM ZINC® PLUS Single Lock Standing Seam</li> </ol>	<p>Building Products- VM ZINC          PO BOX 727 CROWS NEST          NSW 2065</p> <p><a href="http://www.vmzinc.com">www.vmzinc.com</a>          Tel: (61) 02 9955 4400          Fax: (61) 02 9955 1144</p>	<p>NOT A SHOP DRAWING</p> <p>FOR ILLUSTRATION ONLY</p> <p>While all technical information and suggestions herein are believed to be reliable and accurate, nothing stated herein is to be taken as a warranty, expressed or implied. Responsibility for review and validation remains solely with the design authority or other authority having jurisdiction.</p>	 <p>A Umicore brand</p>
------------------------------------------------------------------------------------------------------------------------------------------------------------------------------------------------------------------------------------------------------------------------------------------------------------------------------	------------------------------------------------------------------------------------------------------------------------------------------------------------------------------------------------------------------------------	--------------------------------------------------------------------------------------------------------------------------------------------------------------------------------------------------------------------------------------------------------------------------------------------------------------------------------------------------------------------	--------------------------------------------------------------------------------------------------------------



TITLE

SYSTEM

SCALE

PARAPET AND BOTTOM DETAIL

VM ZINC® Horizontal Single Lock Standing Seam

1:2 @ A4

LEGEND:

1. VM ZINC® PLUS parapet capping
2. Galvanised steel stiffener
3. Anti-abrasive building paper
4. 19mm plywood
5. Rafter (for ventilation)
6. 15mm plywood
7. VM ZINC® PLUS single lock standing seam
8. VM ZINC® PLUS folded flashing strip
9. VM ZINC® Perforated bottom piece for ventilation

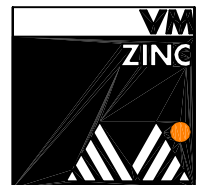
Building Products- VM ZINC  
PO BOX 727 CROWS NEST  
NSW 2065

[www.v zinc.com](http://www.v zinc.com)  
Tel: (61) 02 9955 4400  
Fax: (61) 02 9955 1144

NOT A SHOP DRAWING

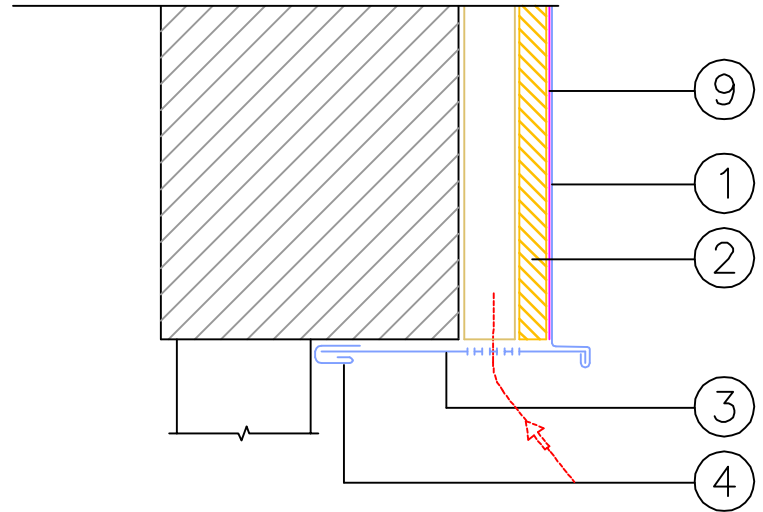
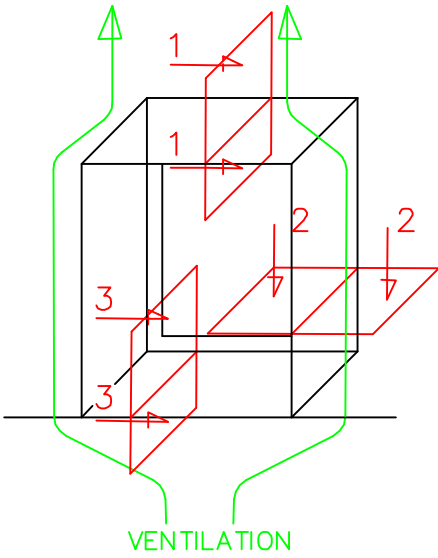
FOR ILLUSTRATION ONLY

While all technical information and suggestions herein are believed to be reliable and accurate, nothing stated herein is to be taken as a warranty, expressed or implied. Responsibility for review and validation remains solely with the design authority or other authority having jurisdiction.

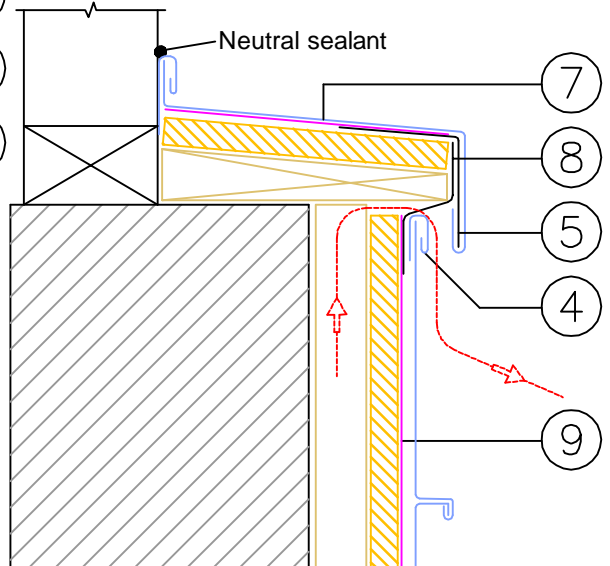
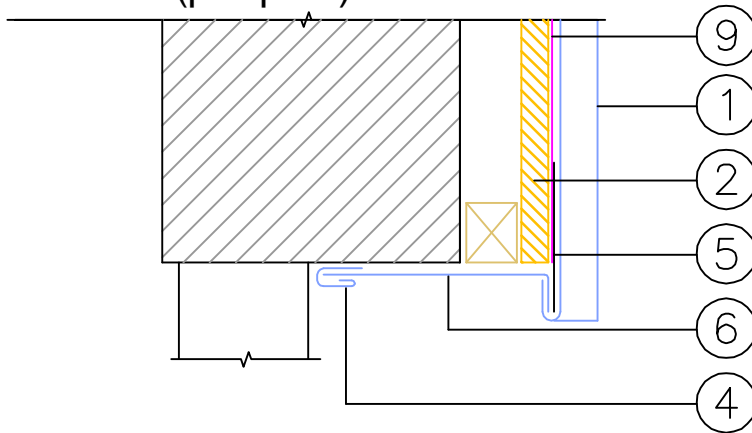


A Umicore brand

### 1-HEAD(per section)

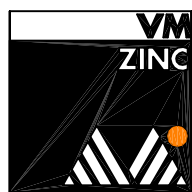


### 2-JAMB (per plan)



### 3-SILL (per section)

TITLE	SYSTEM	SCALE
WINDOW SURROUND	VM ZINC® Horizontal Single Lock Standing Seam	1:5 @ A4

<p>LEGEND:</p> <ol style="list-style-type: none"> <li>VM ZINC® PLUS Single lock standing seam</li> <li>15mm plywood</li> <li>VM ZINC® Perforated bottom piece</li> <li>VM ZINC® PLUS folded flashing strip</li> <li>Galvanised steel stiffener</li> <li>VM ZINC® PLUS Jamb fitting strip</li> <li>VM ZINC® Sill fitting strip</li> <li>Anti-insect grip(if need)</li> <li>Anti-abrasive building paper</li> </ol>	<p>Building Products- VM ZINC PO BOX 727 CROWS NEST NSW 2065</p> <p><a href="http://www.v zinc.com">www.v zinc.com</a> Tel: (61) 02 9955 4400 Fax: (61) 02 9955 1144</p>	<p>NOT A SHOP DRAWING FOR ILLUSTRATION ONLY</p> <p>While all technical information and suggestions herein are believed to be reliable and accurate, nothing stated herein is to be taken as a warranty, expressed or implied. Responsibility for review and validation remains solely with the design authority or other authority having jurisdiction.</p>	 <p>A Umicore brand</p>
-------------------------------------------------------------------------------------------------------------------------------------------------------------------------------------------------------------------------------------------------------------------------------------------------------------------------------------------------------------------------------------------------------------------	------------------------------------------------------------------------------------------------------------------------------------------------------------------------------------------	-----------------------------------------------------------------------------------------------------------------------------------------------------------------------------------------------------------------------------------------------------------------------------------------------------------------------------------------------------------------	--------------------------------------------------------------------------------------------------------------